



Microcurrent Frequencies' Effect on the Cell Membrane Potential

Marcus Schmiede ^{a,b,≡,⊘} and Mikkel Aagaard ^{a,c,*#}

^a Institute of Existential Consciousness Research (ECR), Berlin, Germany.

^b Dev Sanskriti University, Haridwar, India.

^c Healy World, Berlin, Germany.

Authors' contributions

This work was carried out in collaboration between both authors. Both authors read and approved the final manuscript.

Article Information

DOI: 10.9734/JOCAMR/2022/v17i430336

Open Peer Review History:

This journal follows the Advanced Open Peer Review policy. Identity of the Reviewers, Editor(s) and additional Reviewers, peer review comments, different versions of the manuscript, comments of the editors, etc are available here: <https://www.sdiarticle5.com/review-history/84277>

Original Research Article

Received 19 January 2022

Accepted 22 March 2022

Published 12 April 2022

ABSTRACT

Research shows that cellular and mitochondrial ($\Delta\Psi_m$) membrane potentials are strong indicators of cellular physiology. In this paper we review further research suggesting that microcurrent frequencies can positively influence both these membrane potentials. The goal of this research is to show how microcurrent might stimulate physiological potentials in order to support a healthy function of bioelectric fields of cells and organs. In the second part of the article, a study to examine the effects of microcurrent application on the body's response to electric measurements is presented, in particular to a change in voltage-current lag known as a phase angle. The test involved measuring bioimpedance of a person before and after a 30-minute application with microcurrent stimulation. Fifteen healthy subjects were examined through impedance measurements taken on one arm. The results showed a consistent increase in phase angle directly after the stimulation, confirming a widely accepted indication of health improvement on a cellular level. These results are encouraging and justify further investigations on the effect of microcurrent stimulation on the human body in relation to general cellular health and regenerative functions.

[≡] Head of scientific research,

[⊘] Adjunct Professor,

[#] Healy World, Head of Research Laboratory,

*Corresponding author: E-mail: mikkel.aagaard@healyworld.net, mikkel.aagaard@healy.world;

Keywords: Cell membrane potential; ATP; bioelectric; bioenergetic; bioimpedance analysis BIA; phase angle PA; microcurrent electrical stimulation.

1. INTRODUCTION

Effect of Microcurrent Frequencies on the Bioelectric Field of Cells and Tissues:

Mannheimer [1,2] examined the effect of a large band of frequencies from 3 Hz to 130 Hz on the electrical potential of cells and tissues. The results obtained from Magnetic Resonance Spectroscopy (MRS) in a randomized double-blind placebo-controlled study, using pulsed biphasic microcurrent, show that specific fluctuating frequencies are positively affecting membrane potentials and the potential of the whole tissue by inducing increased cellular energy and a better bioelectrical “milieu” for the cells. A balanced electrical status is the basis for normal physiological cell function and inter-cell communication through the ECM (Extracellular Matrix) as an interface medium.

According to Hood, [2] a reduction of the electrical potential across the inner membrane inhibits the action of the F_1F_0 ATPase and hence decreases ATP synthesis. According to Dimroth, [3] almost all of the torque sufficient to generate ATP synthesis by the Na^+F_0 motor is due to the membrane potential [4]. At a frequency that exceeding 3Hz the ATP synthesis rate becomes saturated. The maximal rotary frequency of the F_0 motor to increase the membrane potential is 130 Hz [5].

Mannheimer is referring to the positive effect of microcurrent frequencies on the membrane potential of mitochondria (where ATP synthesis takes place); a corresponding effect can be expected for cell membrane potential, which is closely related to the mitochondria’s membrane potential since cell membranes act as a “storage battery” for the distribution of electrons used to induce subcellular enzymatic reactions based on cell membrane depolarization events. Frequency-receptors mediate 2nd messenger systems like Ca_2^+ cAMP, etc., which then electrically and chemically activate mitochondrial membranes for ATP synthesis [6]. Like the cell membrane, mitochondrial membrane potential generated by the electron-transport chain is the driving force behind ATP synthesis for mitochondrial membranes. This also plays a key role in mitochondrial homeostasis through selective elimination of dysfunctional mitochondria and is an essential component of mitochondrial calcium homeostasis. In fact, a

distinctive feature of the early stages of apoptosis is the disruption of normal mitochondrial function. A collapse in the mitochondrial membrane and redox potential may induce unwanted loss of cell viability, thus paving the way for unhealthy tissues.

Successful modeling of the effect of an external electric field and microcurrent (up to 1000 μ A) on cell membrane potential and ATP production has been reported by Lohrasebi, confirming that microcurrent induces an increase of the rotary frequency of the F_0 motor, depending on the intensity of the electrical current [7]. This causes an increase in cellular potential and ATP production [8].

The Cell Membrane Potential as the Basis of the Bioelectric Field:

The electrical parameters of the cell in relation to electrical potentials of other physiological structures of the bodies of animals and humans were extensively studied by Becker [9] and Nordenstrom [10]. There exist voltage potentials across all cellular membranes. Various tissues possess different electrical characteristics. In the last decades, it has been proven that all tissues produce or carry electrical potentials of different amplitudes [11]. When the electrical potentials of several cells in a tissue are combined, a much higher voltage is generated, and it can be measured in several ways as for example:

- on the surface of the brain using Electroencephalography (EEG)
- on muscles using Electromyography (EMG)
- on the heart using Electrocardiography (ECG)

Nordenstrom [10] and Becker [12] conducted extensive research on how electrical potentials of cell groups and tissues are responsible for different diseases or dysfunctions such as, among others:

- the decreased wound healing capacity
- dysfunctional immune system reaction
- ischemic pain caused by tissue hypoxia and acidosis
- inflammatory processes

Increased electrical conductivity has also been confirmed by several researchers through

measurements of specific anatomical positions known as acupuncture points, well known in the classical Chinese representation of the bioelectric blueprint of the body [13]. Two Japanese researchers—Yoshio Nagahama [14] and Hiroshi Motoyama [15], as well as Langevin and Yandow [16], concluded that the meridian system is located in the electrical properties of the superficial fascia. Motoyama has demonstrated that what is called “Chi energy” in traditional Chinese Medicine is not simply the movement of ions through tissue but is rather connected to the current of electrons in the tissues through anatomical connective tissue plans and related to amplitude and frequency of this electrical current.

The most important discovery brought by Becker was that injuries produce a so-called physiological “current of injury.”, meaning that an open wound reduces the electrical potential, allowing the tissues to become uncharged. He demonstrated that this effect can be counteracted by applying an electrical current of certain frequencies to wounded tissues in order to correct the electrical potential of the cells, triggering repair and restoring healthy cellular functions. Becker also demonstrated that increased microcirculation and inflammation locally cause reduced electrical resistance and an increased concentration of tissue NaCl. Decreased resistance allows higher electrical charges to move towards wounded areas. This interference with the sodium ion pump mechanism within the cells reduces their capacity to produce ATP, the very chemical energy that constitutes energy supply to the cells [17]. Due to this lack of electrons in the extracellular space, decreased cell membrane potential, and reduced ATP production, cell membrane transport mechanisms through ion channels are degraded. When an ion channel is disturbed, the normal transport of nutrients to the cells and the disposal of metabolic waste is quickly impaired. Eventually, the decreased electrical cell membrane potential results in a quick cellular efficiency decline. When the cell membrane’s potential is restored, permeability increases, and a faster transfer of fluids and nutrients into the cells is achieved. This effect occurs when an electrical microcurrent with specific lower frequencies is applied to the disrupted area [1]. According to Mannheimer, this effect depends on the frequency modulation of the microcurrent. Frequencies modulated onto an ultra-weak magnetic field can positively influence the cell membrane [18].

According to Robert Becker’s research colleague Arthur Pilla, any change in the environment of the cell that causes an increase or decrease of the membrane’s electrical potential can potentially alter cell function [19]. He concludes that a cell can be stimulated with specific frequencies to restore the lost potential. A “window effect” has been discovered in this regard, expressing that a certain range of frequencies and amplitudes has the strongest effect [20,21].

Early research by Nordenstrom and Becker has been confirmed by several more recent studies and publications dealing with cell membrane potential in different pathologies [22].

Ming Yang and William J. Brackenbury [23] published a “cell membrane potential scale” in mV, comparing the membrane potential of healthy cells with those of tumor cells. They collected their data from Binggeli and Weinstein [24] and Fraser [25] and Yang et al. [23].

Similar research conducted on tissues affected by ischemic pain and inflammation confirmed that during these pathological phases, a decreased cell membrane potential was present [26].

Michael Levin [22] reviewed research on the influence of the cell potential and related bioelectrical parameters for the regeneration of cells. This paper graphically displays the multiple effects on cell electricity and shows another similar graph to scale the potentials of different kinds of healthy and pathological cells.

Fig. 1 combines these findings with the original concept of Nordenstrom and Becker to develop a scale of the cell membrane potential and the sodium chloride concentration [27] in the cell, relative to different pathological states. This diagram represents aging and pathological processes of the cell in relation to its bioelectric emission. A therapeutic process using frequency-modulated-microcurrent might support the cell membrane potential and thereby balance order, consistency and distribution of electrical potential, to achieve a coherent bioelectrical field.

2. STUDY DESIGN AND METHODS

2.1 Measurement

In this study, 15 subjects have been measured using the VitalSensor BIA-PAD Bioimpedance Analyzer, with the measurement current being

set at 50 kHz. Electrodes were placed in a tetrapolar configuration Fig. 2 (left). Localized measurements were performed on the forearm with 20 cm between proximal electrodes. A distance of 1.5 cm is allowed between the distal and proximal electrodes. The subjects were instructed to refrain from food intake an hour before the measurement. Four distinct measurements were taken with the subjects in Fowler's position (a standard semi-sitting position at 45-60 degrees with straight knees), two before microcurrent application and two afterward. Each pair of measurements were interrupted by 5-minute intervals.

Microcurrent application: Microcurrent applied during each session had a frequency of 50 Hz and the amplitude varied between 50 and 400 μ A (randomly selected per subject).

As shown in Fig. 4, a typical session presented a steady or even slightly decreased PA level between the first and second measurement during the first 5 to 10 minutes of rest in the experiment position. This shift can also be attributed to bodily fluids readjusting from being upright to the reclined Fowler's position.

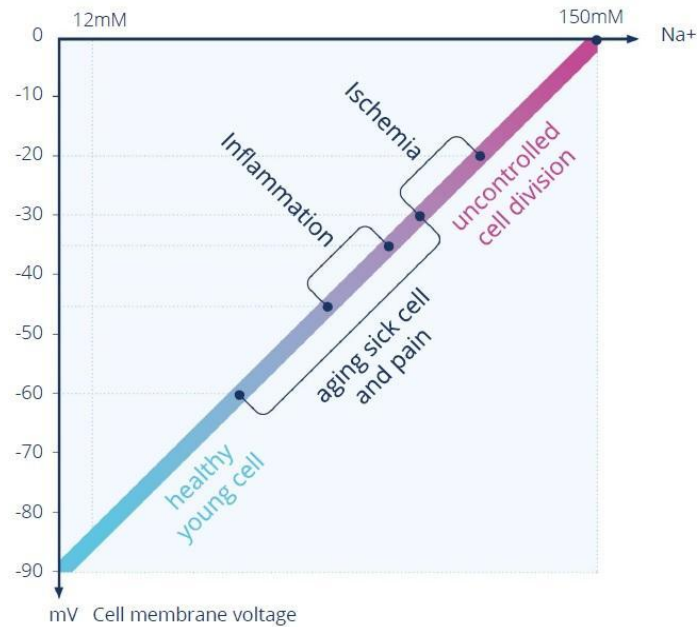


Fig. 1. Cell membrane potential versus concentration of Na⁺-Ions as summarized from previously mentioned sources



Fig. 2. Electrode placement for BIA measurements (left) and microcurrent application (right)

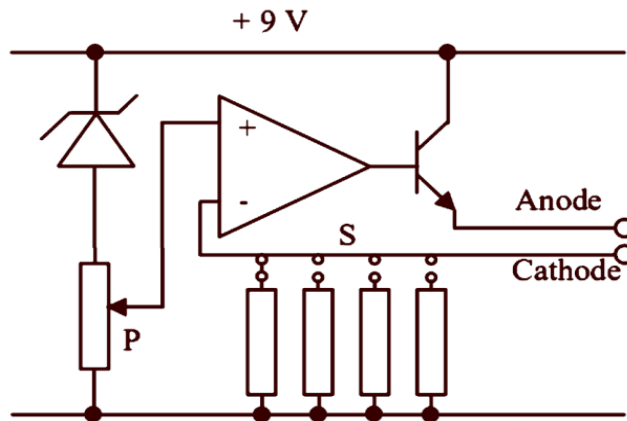


Fig. 3. Schematic of the microcurrent application circuit used by a much-cited study on microcurrent assisted ATP production [8]

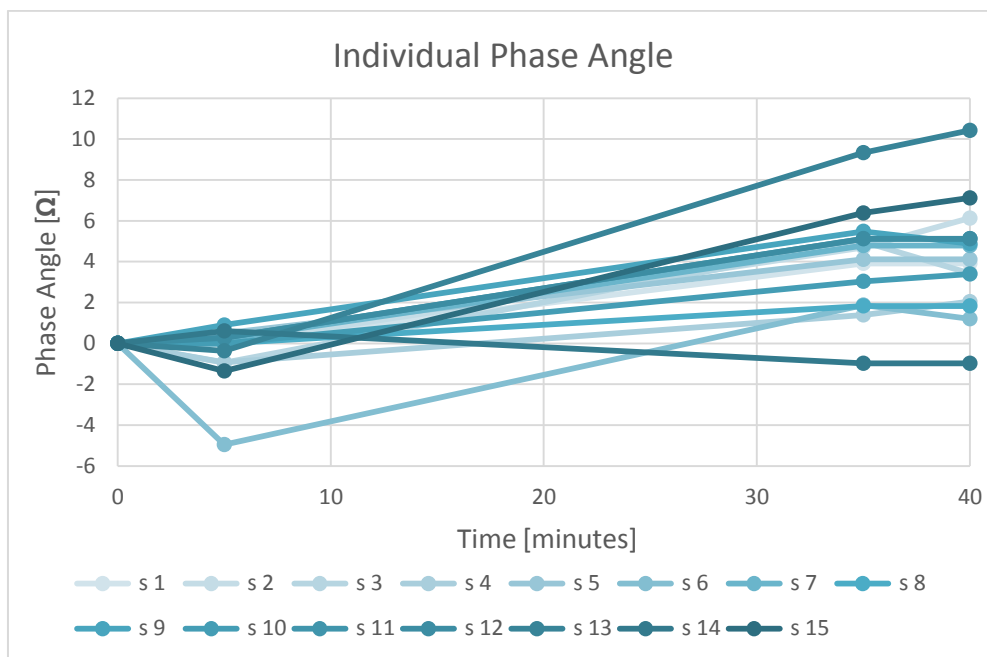


Fig. 4. Results from measuring the PA for 15 subjects (s) before (at 0 and 5 minutes) and after (at 35 and 40 minutes) the microcurrent application

Cumulative percentage of change in the subjects' PA level as a result of microcurrent application shows a relative change in PA across four BIA measurements, two before applying microcurrent and two measurements afterward. Following the 30-minute current application in a range between 50 and 400 μA , all but one of the subjects (93.3 %) showed a significant increase in the PA with an average of 4.4 % and a median of 4.6 % raise per subject. After microcurrent application, all subjects remained at rest. In this last phase, PA remained unchanged at an increased value.

3. EXPERIMENTAL RESULTS AND DISCUSSIONS

3.1 Bioimpedance Phase Angle

Bioimpedance Analysis (BIA) is a low-cost, noninvasive, and reliable method, frequently used as a body mass index (BMI) assessment. BIA is an accurate predictor of cellular health, as it indicates the cell membrane's integrity and proper function [29]. Significant variations derive from changes caused by local and systemic inflammation, swelling, and local or systemic

infection [30,31]. BIA has been also experimentally tested as a novel test biomarker for detecting cancerous cells since these produce uncontrolled intensified growth, vascular development, and increased blood supply. Cancer cells display much lower impedance than of normal cells [32].

Phase Angle (PA) ϕ is a component of bioimpedance, or more precisely the arctangent of the ratio between reactance (X) and resistance (R).

$$\phi = \tan^{-1} \frac{X}{R}$$

The main contributions to resistance are the water and electrolyte content of tissues (both intra- and extracellular), and its value is constant across the frequency spectrum. Reactance is frequency-dependent and originates from the cell membrane's capacitance. It varies depending on the cell membrane's integrity, function, and chemical composition [33].

PA measures the shift between the applied current and voltage caused by the cell membranes and tissue interfaces. The healthier the cell, the more voltage is delayed in relation to current and, as shown in many BIA study cases, the higher the PA value the greater the cell's health [34].

3.2 Microcurrent Stimulation

In recent years there has been a growing trend to advance non-invasive methods addressing health improvement, preservation, and

prophylaxis. Electro-stimulation therapy has been increasingly used as an adjuvant in physical rehabilitation, post-operative treatments, exercise, and athletic performance enhancement. Microcurrent stimulation is a valid candidate and an appropriate example for electrical stimulation utilizing weak electrical currents (in the range of microamperes), dosed to intensities similar to those occurring endogenously in tissues and cells that instigate regenerative mechanisms [35]. The role of specific microcurrents and frequencies and their role in overall health improvement is currently being actively researched. Shane Gilroy used BIA measurements to study the effects of microcurrent stimulation on the body's bioimpedance, showing moderate to significant positive changes in phase angle in 91 % of 34 subjects treated with frequency-specific microcurrent [36].

3.3 Membrane Potential and the Coherence of the Bioelectric Field

Pulsed electric currents with specific frequencies influence cellular energy and electrical potential of cells and tissues in a positive way. Due to the close correlation of ultra-weak cell radiation to the bioelectricity of cells and tissues, the same microcurrent frequencies also positively influence the quantum field level of the entire electromagnetic network in the human body. Regarding cell radiation, F.A. Popp examined the coherence of ultra-weak biological electromagnetic emission as an indicator of coherent information

Table 1. PA results for 15 subjects at measurements before (m1-2) and after (m3-4) microcurrent application and the percentage change in PA value between the m2 and m3 measurements

	M1 (0 min)	M2 (5 min)	M3 (35 min)	M4 (40 min)
sub 1	10.21	10.21	10.61	10.61
sub 2	11.91	11.91	12.47	12.64
sub 3	8.45	8.37	8.87	8.74
sub 4	10.78	10.68	10.93	11
sub 5	6.08	6.11	6.33	6.33
sub 6	7.47	7.1	7.61	7.56
sub 7	10.03	10.05	10.51	10.51
sub 8	14.17	14.17	14.43	14.43
sub 9	10.03	10.12	10.58	10.52
sub 10	11.19	11.19	11.53	11.57
sub 11	7.22	7.24	7.59	7.59
sub 12	7.22	7.24	7.59	7.59
sub 13	8.25	8.22	9.02	9.11
sub 14	8.2	8.25	8.12	8.12
sub 15	8.15	8.04	8.67	8.73
average	9.29	9.26	9.65	9.68

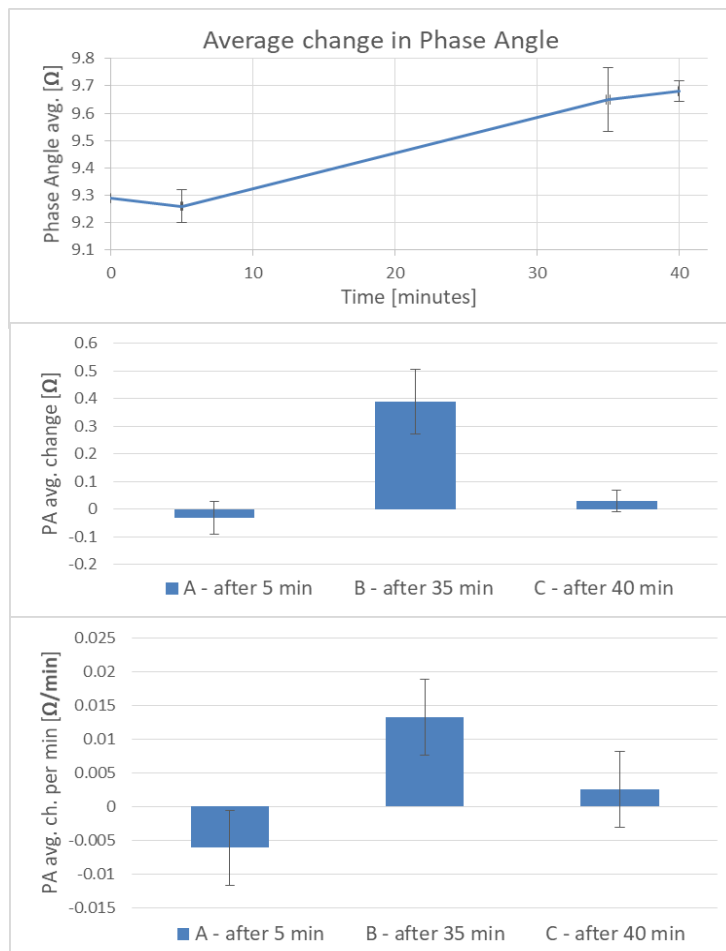


Fig. 5. Average change in PA between 4 measurements in 15 sessions with different participants (top). Changes during the respective observational period (middle) A: after an initial rest and prior to application of microcurrent; B: after the application of microcurrent; C: after post-application rest and respective change per minute (bottom)

exchange and communication at a cellular level. Interestingly, the frequency distribution of electrical potential on the skin corresponds to the coherence of the photons emitted by the same organs located below the skin [37]. This indicates that there is a close relationship between the ultra-weak cell radiation and the bioelectricity of cells and that of relative zonal tissues.

A harmonizing effect of microcurrent frequencies on the bioelectric field of the organism can be expected because of the increased coherence in the electromagnetic quantum field of the entire body.

4. CONCLUSION

Our presented study showed strong evidence that microcurrent stimulation positively affects PA, an overall indicator of cellular health. It is a

promising outcome that opens the way for further investigation with different parameters to be applied to microcurrent stimulation and a wider investigation for electrical measurement techniques. Results obtained after Bioimpedance Analysis can be frequency-dependent and might vary when measured after several hours post-treatment. Additional studies with multifrequency impedance analysis such as Bioimpedance Spectroscopy are proposed for further investigation to obtain more complete characteristics of the observed positive phenomenon.

5. DISCLAIMER

The study was performed for the advancement of knowledge. The products used for this research are commonly and predominantly used products in our area of research and country.

ETHICAL STATEMENT

As this study was in healthy volunteers who were fully informed and gave written informed consent there was no legal requirement to seek ethical clearance and as the potential benefit - receiving free treatment – outweighed the risks, which is non-existent, we felt that ethical clearance is unnecessary.

COMPETING INTERESTS

The research was funded by Healy GmbH and its results may lead to the improvements in the development of its products.

REFERENCES

1. Mannheimer JS. The Effect of Microcurrent Stimulation on ATP Synthesis in the Human Masseter as Evidenced by ³¹P Magnetic Resonance Spectroscopy. Dissertation, New Jersey: Seton Hall University; 2005.
2. Hood DA. Plasticity in skeletal, cardiac and smooth muscle. Invited Review: Contractile activity-induced mitochondrial biogenesis in skeletal muscle. *J Appl Physiol*. 2001;1137-57.
3. Dimroth P, Kaim G, Mathhey U. Crucial role of the membrane potential for ATP synthesis by F(1)F(o) ATP synthases. *J Exp Biol*. 2000;51-9.
4. McCabe BD, Marques G, Haghghi AP, Fetter RD, Crotty ML, Haerry TE, et al. The BMP homolog Gbb provides a retrograde signal that regulates synaptic growth at the Drosophila neuromuscular junction. *Neuron*. 2003;241-254.
5. Itoh H, Takahashi A, Adachi K, Noji H, Yasuda R, Yoshida M, et al. Mechanically driven ATP synthesis by F1-ATPase. *Nature*. 2004;427:465–468.
6. Orrenius S, Gogvadze V, Zhivotovsky B. Calcium and mitochondria in the regulation of cell death. *Biochemical and Biophysical Research Communications*. 2015;460:72-81.
7. Lohrasebi A, Jamali Y, Rafii-Tabar H. Modeling the effect of external electric field and current on the stochastic dynamics of ATPase nano-biomolecular motors. *Physics A*. 2008;5466-5476.
8. Popp F, Yan Y. Delayed luminescence of biological systems in terms of coherent states. *Physics Letters. Bd. A*. 2002;(293): 93–97.
9. Becker R, Bachman C. Bioelectric Effects in Tissue. *Clin Orthop Relat Res*. 1965; 251-3.
10. Nordenstrom B. Biologically Closed Electric Circuits: Clinical, Experimental and Theoretical Evidence for an Additional Circulatory System. 1st ed.: Nordic Medical Publications; 1983.
11. Tyler SEB. Nature's Electric Potential: A Systematic Review of the Role of Bioelectricity in Wound Healing and Regenerative Processes in Animals, Humans, and Plants. *Front Physiol*. 2017; 8(627).
12. Becker R, Selder G. The Body Electric: Electromagnetism And The Foundation Of Life: William Morrow and Company; 1985.
13. Lee MS, Jeong SY, Lee YH, Jeong DM, Eo YG, Ko SB. Differences in electrical conduction properties between meridians and non-meridians. *The American journal of Chinese medicine*. 2005;5(33):723–728.
14. Nagahama H, Maruyama M. Research of Meridians. Chiba University Medical School Kyorin Shoin; 1950.
15. Motoyama H. Measurements of Ki Energy Diagnoses & Treatments: Treatment principles of Oriental Medicine from an Electrophysiological Viewpoint. 1st ed.: California Inst. for Human Science; 1997.
16. Langevin HM, Yandow JA. Relationship of acupuncture points and meridians to connective tissue planes. *Anat Rec*. 2002; 6(269):257-65.
17. Diamond WJ. The Clinical Practice of Complementary, Alternative, and Western Medicine. 1st ed.: CRC Press; 2001.
18. Bauréus Koch C, Sommarin M, Persson B, Salford L, Eberhardt J. Interaction between weak low frequency magnetic fields and cell membranes. *Bioelectromagnetics*. 2003;6(24):395-402.
19. Pilla A, Sechaud P, McLeod B. Electrochemical and electrical aspects of low-frequency electromagnetic current induction in biological systems. *J Biol Phys*. 1983;11(2):51–58.
20. Escobar JF, Vaca-González JJ, Guevara J, Garzón-Alvarado D. Effect of magnetic and electric fields on plasma membrane of single cells: A computational approach. *Engineering Reports*. 2020;2(2).
21. Grosse C, Schwan HP. Cellular membrane potentials induced by alternating fields. *Biophysical Journal*. 1992;63(6):1632–1642.

22. Levin M. Large-scale biophysics: ion flows and regeneration. *Trends in Cell Biology*. 2007;17(6):261-70.
23. Yang M, Brackenbury WJ. Membrane potential and cancer progression. *Frontiers in physiology*. 2013 Jul; 4(185).
24. Binggeli R, Weinstein RC. Membrane potentials and sodium channels: hypotheses for growth regulation and cancer formation based on changes in sodium channels and gap junctions. *J. Theor. Biol.* 1986;123(4):377–401.
25. Fraser SP, Diss JK, Chioni AM, Mycielska ME, Pan H, Yamaci RF, et al. Voltage-gated sodium channel expression and potentiation of human breast cancer metastasis. *Clinical Cancer Research*. 2005;11(15):5381–5389.
26. Issberner U, Reeh PW, Steen KH. Pain due to tissue acidosis: a mechanism for inflammatory and ischemic myalgia? *Neuroscience letters*. 1996;208(3):191-194.
27. Noma A, Irisawa H. Effects of Na⁺ and K⁺ on the resting membrane potential of the rabbit sinoatrial node cell. *The Japanese journal of physiology*. 1975;25(3):207–302.
28. Cheng N, Van Hoof H, Bockx E, Hoogmartens MJ, Mulier JC, De Dijcker FJ, et al. The effects of electric currents on ATP generation, protein synthesis, and membrane transport of rat skin. *Clinical Orthopaedics and Related Research*. 1982;171:264–272.
29. Streb A, Hansen F, Gabiatti M, Tozetto W, Del Duca G. Phase angle associated with different indicators of health-related physical fitness in adults with obesity. *Physiology and Behavior*. 2020;225(6).
30. Bera TK, Nagaraju J. Electrical impedance spectroscopic studies on broiler chicken tissue suitable for the development of practical phantoms in multifrequency EIT. *Journal of Electrical Bioimpedance*. 2011; 2(1):48–63.
31. Bauchot A, Harker F, Arnold W. The use of electrical impedance spectroscopy to assess the physiological condition of kiwifruit. *Postharvest Biology and Technology*. 2000;18(1):9–18.
32. Bera TK. Bioelectrical impedance methods for noninvasive health monitoring: A review. *Journal of Medical Engineering*. 2014;1-28.
33. Di Vincenzo O, Marra M, Scalfi L. Bioelectrical impedance phase angle in sport: A systematic review. *Journal of the International Society of Sports Nutrition*. 2019;16(1).
34. Lukaski H, Kyle U, Kondrup J. Assessment of adult malnutrition and prognosis with bioelectrical impedance analysis: Phase angle and impedance ratio. *Current Opinion in Clinical Nutrition and Metabolic Care*. 2017;20(5):330–339.
35. Isseroff RR, SE D. Electrical Stimulation Therapy and Wound Healing: Where Are We Now? *Advances in Wound Care*. 2012;1(6):238–243.
36. Gilroy S. Bioelectrical Impedance Analysis (BIA) Changes Following Frequency-Specific Microcurrent (FSM) Use: A Case Series. In *International Congress on Natural Medicine*; 2014; New Zealand: Metagenics.
37. Motoyama H. *Measurements of Ki Energy Diagnoses & Treatments: Treatment principles of Oriental Medicine from an Electrophysiological Viewpoint*. 1st ed.: California Inst. for Human Science; 1997.

© 2022 Schmieke and Aagaard; This is an Open Access article distributed under the terms of the Creative Commons Attribution License (<http://creativecommons.org/licenses/by/4.0>), which permits unrestricted use, distribution, and reproduction in any medium, provided the original work is properly cited.

Peer-review history:

The peer review history for this paper can be accessed here:
<https://www.sdiarticle5.com/review-history/84277>